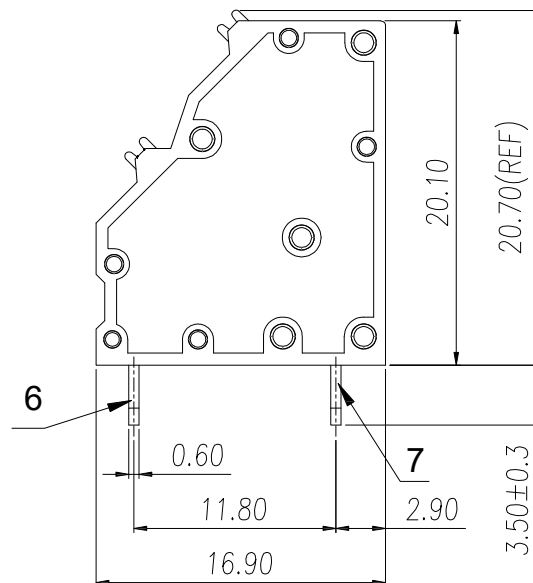
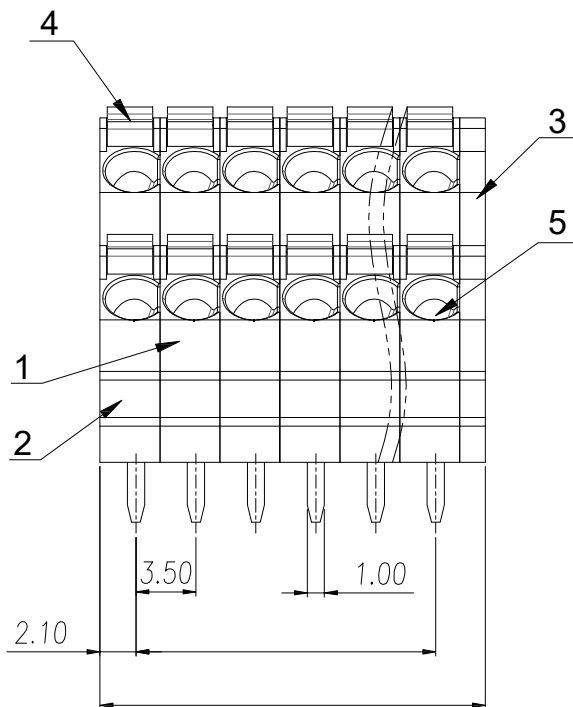
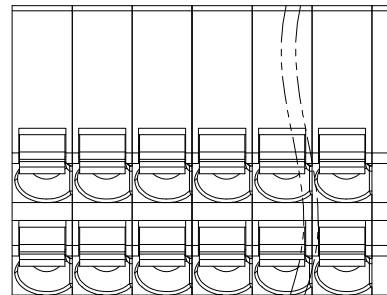
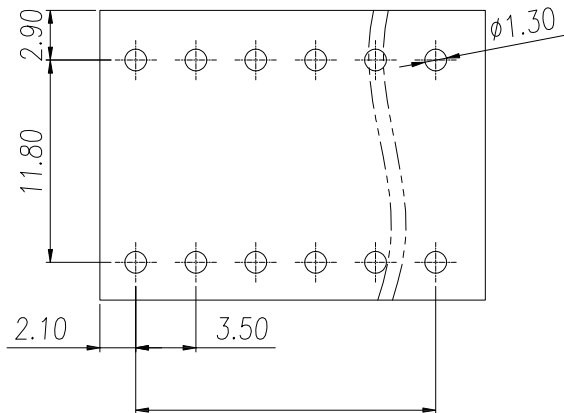
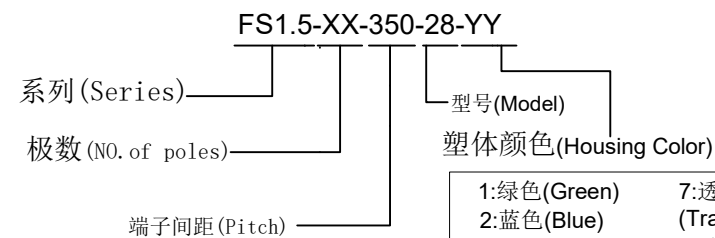


版次 (Version)	变更内容 (Rev. Content)	变更者 (Change Person)



技术参数 (Technical Data)				
UL	应用组别(Use group)	B	C	D
	额定电器参数 (Rated Electrical Parameters)	300V/10A	/	300V/10A
IEC	过压类别 (Overvoltage Category) /污染等级 (Pollution Degree)	III/3	III/2	III/2
	额定电器参数 (Rated Electrical Parameters)	160V/14A	160V/14A	320V/14A
压线范围(Wire Range)		28~16AWG		
工频耐压(Frequency Voltage)		AC 1600V		
冲击耐压(Rated Surge Voltage)		4000V		
绝缘阻抗 (Insulation Resistance)		DC500V 500MΩ above		
接触电阻(Contact Resistance)		≤20mΩ		
剥线长度(String Length)		8~9mm		
工作温度(Temperature)		-40° C--+105° C		
额定扭矩(Rated torque)		/		
材质和电镀(Material and plating)				
绝缘材质(Housing)		PA66 UL94V-0		
导体材料(Contact)		铜合金, 镀锡(Copper alloy, Sn plisted)		
/		/		

产品命名编码:  
(Product Number Code):



- |               |                      |
|---------------|----------------------|
| 1:绿色 (Green)  | 7:透明色 (Transparent)  |
| 2:蓝色 (Blue)   | 8:白色 (White)         |
| 3:黑色 (Black)  | 9:黄色 (Yellow)        |
| 4:灰色 (Grey)   | Y:多种颜色 (Mixed color) |
| 5:橙色 (Orange) |                      |
| 6:红色 (Red)    |                      |

P=3.50mm, N为孔位数 (N for hole digits), 有效位数为 (Significant Digits): 02p-24p

N	02P	03P	04P	05P	06P	07P	08P	09P	10P	11P	12P	13P
L	8.50	12.00	15.50	19.00	22.50	26.00	29.50	33.00	36.50	40.00	43.50	47.00
B	3.50	7.00	10.50	14.00	17.50	21.00	24.50	28.00	31.50	35.00	38.50	42.00
N	14P	15P	16P	17P	18P	19P	20P	21P	22P	23P	24P	
L	50.50	54.00	57.50	61.00	64.50	68.00	71.50	75.00	78.50	82.00	85.50	
B	45.50	49.00	52.50	56.00	59.50	63.00	66.50	70.00	73.50	77.00	80.50	

东莞市澳斯电子有限公司 DONGGUAN AOSI ELECTRONICS CO., LTD.	公差范围 (Tolerance Range)	
	150~	±1.60
型号 (Type): FS1.5-XX-350-28-YY	60~150	±1.30
	30~60	±0.70
核准 (Approval):	6~30	±0.30
	图号 (Drawing NO.):	0~6 ±0.20
核审 (Audit):	角度 (Angle) X.X	±2°
	单位 (Units): mm	±1°
设计 (Design):	页码 (Page): 1/1	版次 (Version): T0
	比例 (Scale): FULL	