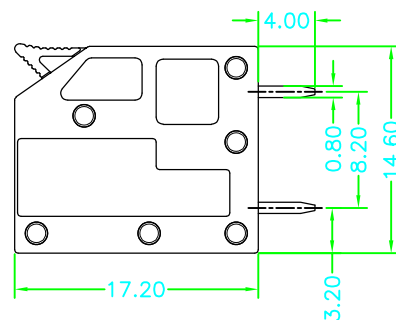
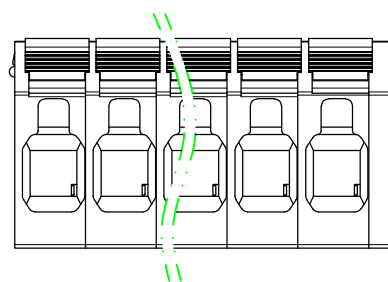
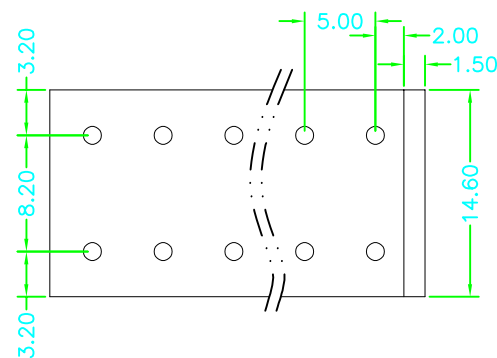
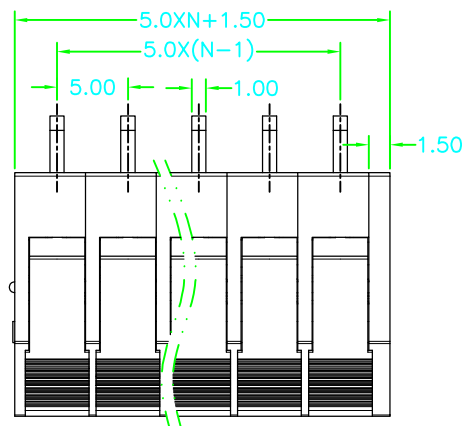


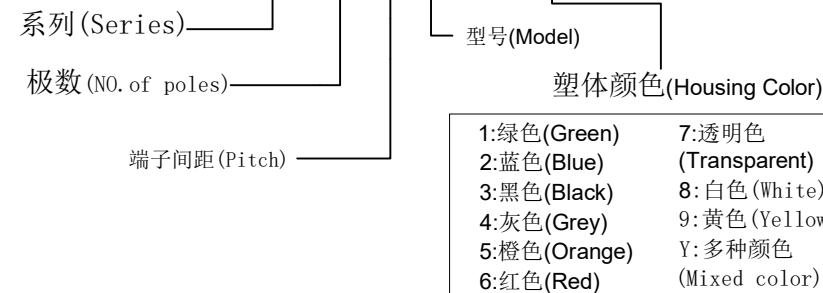
版次 (Version)	变更内容 (Rev. Content)	变更者 (Change Person)



技术参数 (Technical Data)				
UL	应用组别(Use group)	B	C	D
	额定电器参数 (Rated Electrical Parameters)	450V/32A	450V/32A	300V/20A
IEC	过压类别(Overvoltage Category) /污染等级(Pollution Degree)	III/3	III/2	III/2
	额定电器参数 (Rated Electrical Parameters)	450V/32A	450V/32A	300V/20A
压线范围(Wire Range)		24~12AWG		
工频耐压(Frequency Voltage)		AC 2500V		
冲击耐压(Rated Surge Voltage)		4000V		
绝缘阻抗(Insulation Resistance)		DC500V 500MΩ above		
接触电阻(Contact Resistance)		≤20mΩ		
剥线长度(String Length)		10-11 (mm)		
工作温度(Temperature)		-40° C~+105° C		
额定扭矩(Rated torque)		/		
材质和电镀(Material and plating)				
绝缘材质(Housing)		PA66	UL94V-0	
导体材料(Contact)		铜合金, 镀锡(Copper alloy, Sn plated)		
/		/		

产品命名编码:  
(Product Number Code):

FS2.5-XX-500-2604V-YY



P=5.00mm,N为孔位数(N for hole digits),有效位数为(Significant Digits):02p-24p

N	02P	03P	04P	05P	06P	07P	08P	09P	10P	11P	12P	13P
L	11.50	16.50	21.50	26.50	31.50	36.50	41.50	46.50	51.50	56.50	61.50	66.50
B	5.00	10.00	15.00	20.00	25.00	30.00	35.00	40.00	45.00	50.00	55.00	60.00
N	14P	15P	16P	17P	18P	19P	20P	21P	22P	23P	24P	
L	71.50	76.50	81.50	86.50	91.50	95.50	101.50	106.50	111.50	116.50	121.50	
B	65.00	70.00	75.00	80.00	85.00	90.00	95.00	100.00	105.00	110.00	115.00	

东莞市澳斯电子有限公司 DONGGUAN AOSI ELECTRONICS CO., LTD.	公差范围(Tolerance Range)	
	150~	±1.50
型号(Type): FS2.5-XX-500-2604V-YY	60~150	±1.00
	30~60	±0.60
核准(Approval):	6~30	±0.40
	图号(Drawing NO.):	0~6 ±0.25
核审(Audit):	单位(Units):mm	角度(X) ±2°
	页码(Page):1/1	(Angle) X.X ±1°
设计(Design)	比例(Scale):FULL	版次(Version):T0