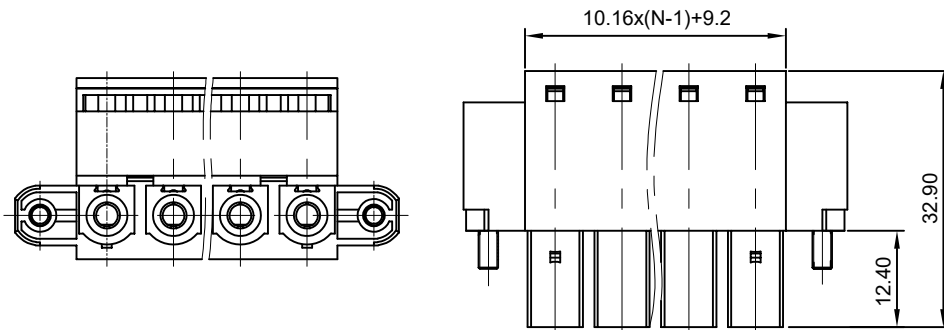
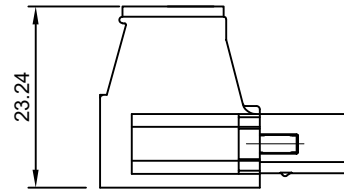
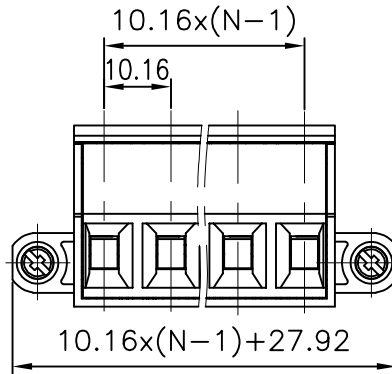
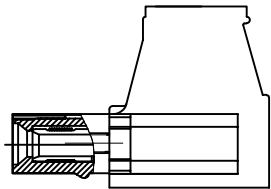
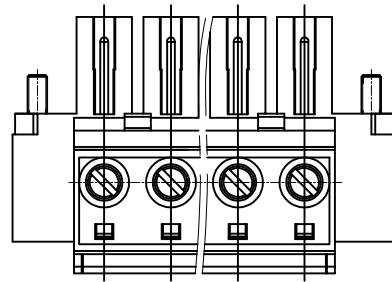


版本 (Version)	变更内容 (Rev. Content)	变更者 (Change Person)



技术参数 (Technical Data)				
UL	应用组别(Use group)	B	C	D
	额定电器参数 (Rated Electrical Parameters)	300V/16A	600V/52A	300V/10A
IEC	过压类别 (Overvoltage Category) /污染等级 (Pollution Degree)	III/3	III/2	II/2
	额定电器参数 (Rated Electrical Parameters)	630V/16A	/	/
压线范围(Wire Range)		20~6AWG 0.5~10mm <sup>2</sup>		
工频耐压(Frequency Voltage)		AC 2500V		
冲击耐压(Rated Surge Voltage)		4000V		
绝缘阻抗(Insulation Resistance)		DC500V 500MΩ above		
接触电阻(Contact Resistance)		≤20mΩ		
剥线长度(String Length)		7~8 (mm)		
工作温度(Temperature)		-40° C~+105° C		
额定扭矩(Rated torque)		TQ Lb In. 4.43		
材质和电镀(Material and plating)				
绝缘材质(Housing)		PA66 UL94V-0		
导体材料(Contact)		铜合金, 镀锡(Copper alloy, Sn plated)		
/		/		

产品命名编码:  
(Product Number Code):

FPC4-XX-1016-00M-YY


系列 (Series) ———— 型号 (Model)  
极数 (NO. of poles) ———— 塑体颜色 (Housing Color)

端子间距 (Pitch) ————

- |              |                         |
|--------------|-------------------------|
| 1:绿色(Green)  | 7:透明色<br>(Transparent)  |
| 2:蓝色(Blue)   | 8:白色(White)             |
| 3:黑色(Black)  | 9:黄色(Yellow)            |
| 4:灰色(Grey)   | Y:多种颜色<br>(Mixed color) |
| 5:橙色(Orange) |                         |
| 6:红色(Red)    |                         |

P=10.16mm,N为孔位数(N for hole digits),有效位数为(Significant Digits):02p-19p

N	02P	03P	04P	05P	06P	07P	08P	09P	10P	11P	12P	13P
L	38.08	48.24	58.40	68.56	78.72	88.88	99.04	109.2	119.36	129.52	139.68	149.84
B	10.16	20.32	30.48	40.64	50.80	60.96	71.12	81.28	91.44	101.60	111.76	121.92
N	14P	15P	16P	17P	18P	19P	20P	21P	22P	23P	24P	
L	160.00	170.16	180.32	190.48	200.64	210.80	220.96	231.12	241.28	251.44	261.60	
B	132.08	142.24	152.40	162.56	172.72	182.88	193.04	203.20	213.36	223.52	233.68	

 <b>东莞市澳斯电子有限公司</b> <b>DONGGUAN AOSI ELECTRONICS CO., LTD.</b>	公差范围(Tolerance Range)	
	150~	±1.50
型号(Type): FPC4-XX-1016-00M-YY	60~150	±1.00
	30~60	±0.60
核准(Approval):	6~30	±0.40
	0~6	±0.25
核审(Audit):	角度 (Angle)	X ±2°
	单位(Units):mm	X.X ±1°
设计(Design)	图号(Drawing NO.):	页码(Page):1/1
	比例(Scale):FULL	版本(Version):T0