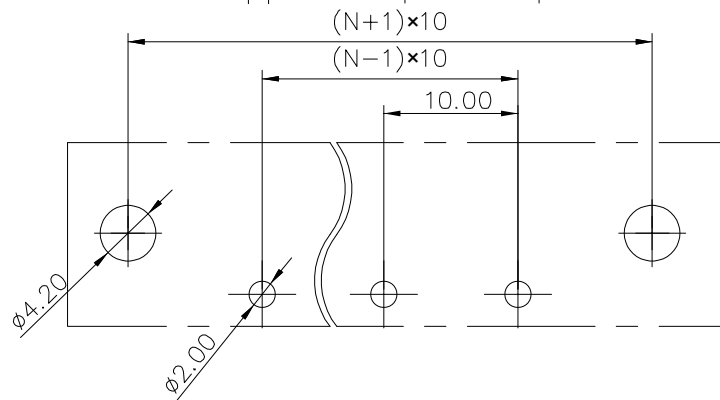
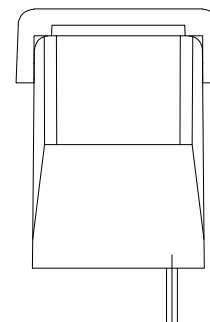
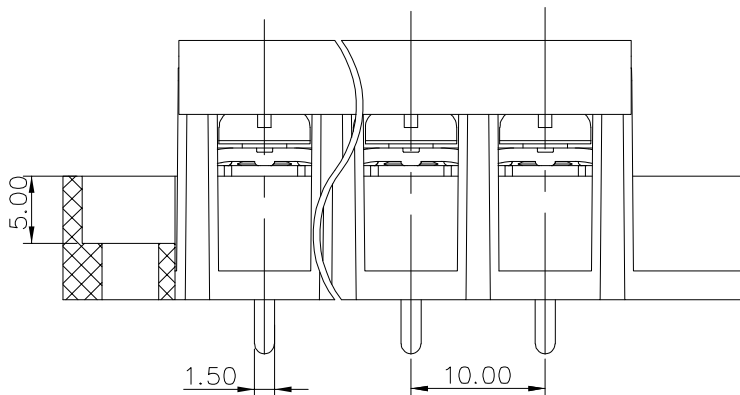
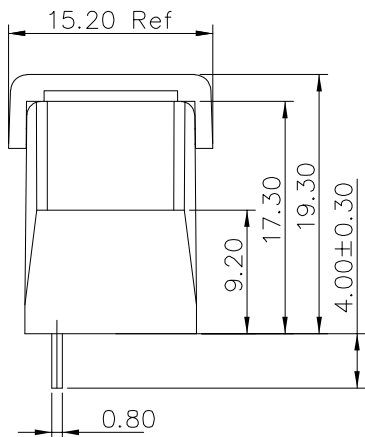
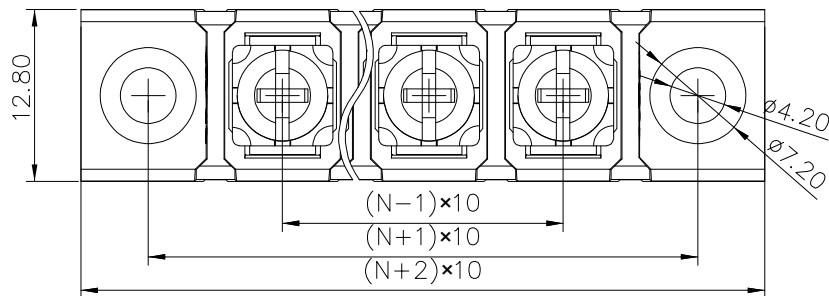


版次 (Version)	变更内容 (Rev. Content)	变更者 (Change Person)



技术参数 (Technical Data)				
UL	应用组别(Use group)	B	C	D
	额定电器参数 (Rated Electrical Parameters)	300V/20A	150V/20A	300V/10A
IEC	过压类别(Overvoltage Category) /污染等级(Pollution Degree)	III/3	III/2	II/2
	额定电器参数 (Rated Electrical Parameters)	600V/32A	600V/32A	600V/32A
压线范围(Wire Range)		22~12AWG		
工频耐压(Frequency Voltage)		/		
冲击耐压(Rated Surge Voltage)		/		
绝缘阻抗(Insulation Resistance)		/		
接触电阻(Contact Resistance)		/		
剥线长度(String Length)		/		
工作温度(Temperature)		-40° C~+105° C		
额定扭矩(Rated torque)		M4/1.2		
材质和电镀(Material and plating)				
绝缘材质(Housing)		PA66		
导体材料(Contact)		铜合金, 镀锡(Copper alloy, Sn plated)		
/		/		

产品命名编码:  
(Product Number Code):

**BT4-XX-1000-58SM-YY**

系列(Series)

极数(NO. of poles)

端子间距(Pitch)


型号(Model)

塑体颜色(Housing Color)

- |              |                         |
|--------------|-------------------------|
| 1:绿色(Green)  | 7:透明色<br>(Transparent)  |
| 2:蓝色(Blue)   | 8:白色(White)             |
| 3:黑色(Black)  | 9:黄色(Yellow)            |
| 4:灰色(Grey)   | Y:多种颜色<br>(Mixed color) |
| 5:橙色(Orange) |                         |
| 6:红色(Red)    |                         |

P=10.00mm,N为孔位数(N for hole digits),有效位数为(Significant Digits):02p-24p

N	02P	03P	04P	05P	06P	07P	08P	09P	10P	11P	12P	13P
L	40.00	50.00	60.00	70.00	80.00	90.00	100.00	110.00	120.00	130.00	140.00	150.00
B	10.00	20.00	30.00	40.00	50.00	60.00	70.00	80.00	90.00	100.00	110.00	120.00
N	14P	15P	16P	17P	18P	19P	20P	21P	22P	23P	24P	
L	160.00	170.00	180.00	190.00	200.00	210.00	220.00	230.00	240.00	250.00	260.00	
B	130.00	140.00	150.00	160.00	170.00	180.00	190.00	200.00	210.00	220.00	230.00	

 <b>东莞市奥斯电子有限公司</b> <b>DONGGUAN AOSI ELECTRONICS CO., LTD</b>	公差范围(Tolerance Range)	
	150~	±1.50
型号(Type): BT4-XX-1000-58SM-YY	60~150	±1.00
	30~60	±0.60
核准(Approval):	图号(Drawing NO.):	6~30 ±0.40
		0~6 ±0.25
核审(Audit):	单位(Units):mm	角度(Angle) X ±2°
	页码(Page):1/1	X.X ±1°
设计(Design)	比例(Scale):FULL	版次(Version):T0