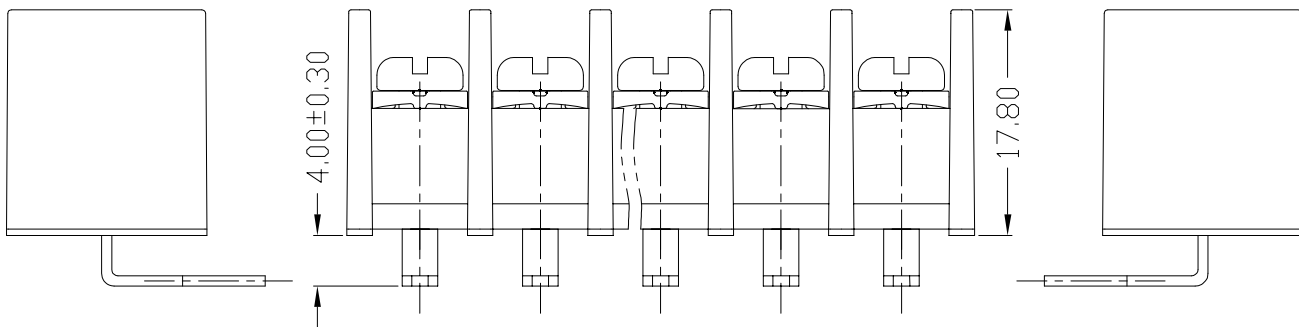
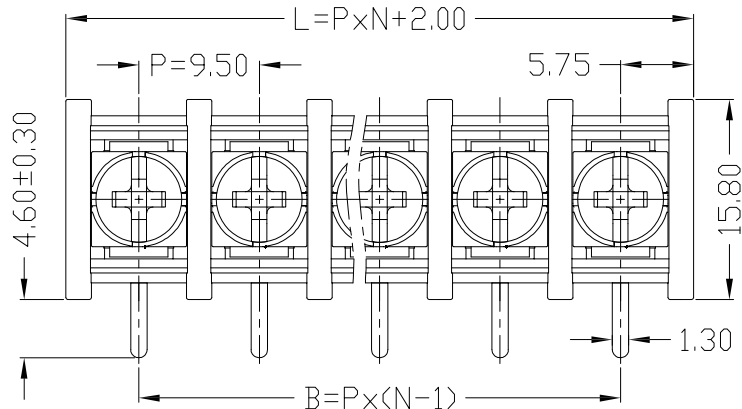


版次 (Version)	变更内容 (Rev. Content)	变更者 (Change Person)



技术参数 (Technical Data)				
UL	应用组别(Use group)	B	C	D
	额定电器参数 (Rated Electrical Parameters)	300V/20A	300V/20A	300V/20A
	过压类别 (Overvoltage Category)	III/3	III/2	II/2
	/污染等级 (Pollution Degree)			
	额定电器参数 (Rated Electrical Parameters)	630V/32A	630V/32A	630V/32A
	压线范围(Wire Range)	22~12AWG 4.0mm <sup>2</sup>		
	工频耐压(Frequency Voltage)	AC 2500V		
	冲击耐压(Rated Surge Voltage)	4000V		
	绝缘阻抗 (Insulation Resistance)	DC500V 500MΩ above		
	接触电阻(Contact Resistance)	≤8mΩ		
	剥线长度(String Length)	6~7 (mm)		
	工作温度(Temperature)	-40° C~+105° C		
	额定扭矩(Rated torque)	/		
材质和电镀(Material and plating)				
	绝缘材质(Housing)	PA66 (UL94 V-0)		
	导体材料(Contact)	铜合金, 镀锡(Copper alloy, Sn plated)		
	/	/		

产品命名编码:  
(Product Number Code):

**BT4-XX-950-45R-YY**

系列 (Series)

极数 (NO. of poles)

端子间距 (Pitch)


型号 (Model)

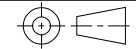
塑体颜色 (Housing Color)

- |               |                      |
|---------------|----------------------|
| 1:绿色 (Green)  | 7:透明色 (Transparent)  |
| 2:蓝色 (Blue)   | 8:白色 (White)         |
| 3:黑色 (Black)  | 9:黄色 (Yellow)        |
| 4:灰色 (Grey)   | Y:多种颜色 (Mixed color) |
| 5:橙色 (Orange) |                      |
| 6:红色 (Red)    |                      |

P=9.50mm, N为孔位数(N for hole digits), 有效位数为 (Significant Digits): 02p-24p

N	02P	03P	04P	05P	06P	07P	08P	09P	10P	11P	12P	13P
L	21.00	30.50	40.00	49.50	59.00	68.50	78.00	87.50	97.00	106.50	116.00	125.50
B	9.50	19.00	28.50	38.00	47.50	57.00	66.50	76.00	85.50	95.00	104.50	114.00
N	14P	15P	16P	17P	18P	19P	20P	21P	22P	23P	24P	
L	135.00	144.50	154.00	163.50	173.00	182.50	192.00	201.50	211.00	220.50	230.00	
B	123.50	133.00	142.50	152.00	161.50	171.00	180.50	190.00	199.50	209.00	218.50	

 <b>东莞市澳斯电子有限公司</b> DONGGUAN AOSI ELECTRONICS CO., LTD.	公差范围 (Tolerance Range)	
	150~	±1.50
型号 (Type): BT4-XX-950-45R-YY	60~150	±1.00
	30~60	±0.60
核准 (Approval):	6~30	±0.40
	0~6	±0.25
核审 (Audit):	角度 (Angle) X	±2°
	单位 (Units): mm	X.X ±1°
设计 (Design)	页码 (Page): 1/1	
	比例 (Scale): FULL	



版次 (Version): T0