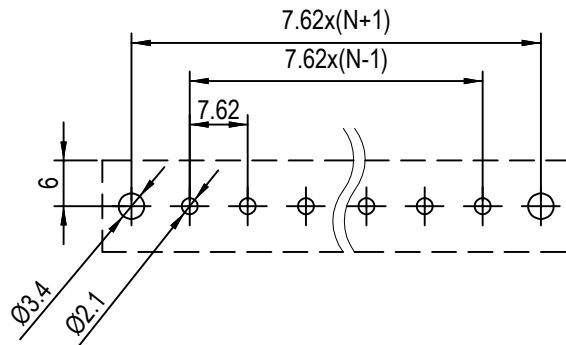
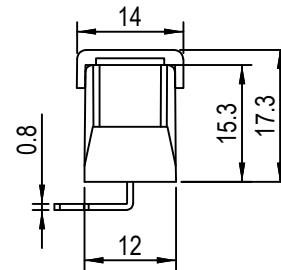
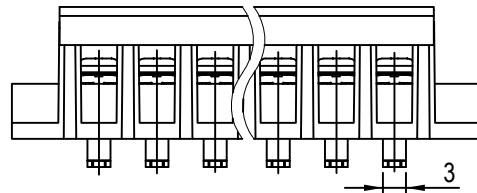
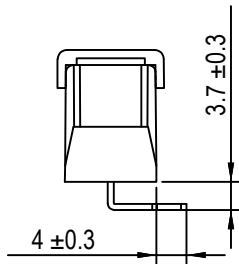
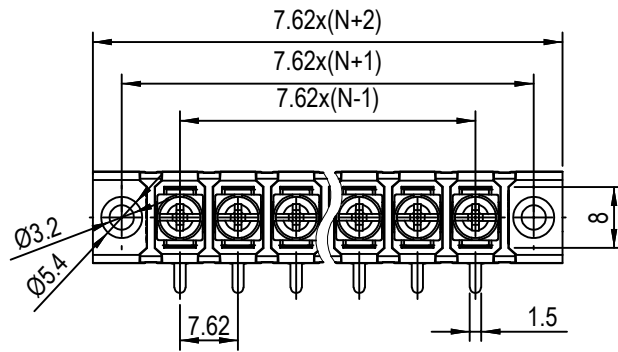


版次 (Version)	变更内容 (Rev. Content)	变更者 (Change Person)



技术参数 (Technical Data)

应用组别(Use group)	B	C	D
UL 额定电器参数 (Rated Electrical Parameters) 过压类别 (Overvoltage Category) /污染等级 (Pollution Degree)	300V/15A	/	300V/10A
IEC 额定电器参数 (Rated Electrical Parameters)	/	/	/
压线范围(Wire Range)	22~14AWG 0.32~2.1mm ²		
工频耐压(Frequency Voltage)	/		
冲击耐压(Rated Surge Voltage)	/		
绝缘阻抗 (Insulation Resistance)	/		
接触电阻(Contact Resistance)	/		
剥线长度(String Length)	/		
工作温度(Temperature)	-40° C~+105° C		
额定扭矩(Rated torque)	/		
材质和电镀(Material and plating)			
绝缘材质(Housing)	PA66		
导体材料(Contact)	铜合金, 镀锡(Copper alloy, Sn plated)		
/	/		

产品命名编码:
(Product Number Code):

BT2.5-XX-762-28RM-YY

系列 (Series)

型号 (Model)

极数 (NO. of poles)


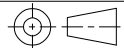
塑体颜色 (Housing Color)

端子间距 (Pitch)

1:绿色(Green)	7:透明色 (Transparent)
2:蓝色(Blue)	8:白色(White)
3:黑色(Black)	9:黄色(Yellow)
4:灰色(Grey)	Y:多种颜色 (Mixed color)
5:橙色(Orange)	
6:红色(Red)	

P=7.62mm,N为孔位数(N for hole digits),有效位数为 (Significant Digits):02p-24p

N	02P	03P	04P	05P	06P	07P	08P	09P	10P	11P	12P	13P
L	30.48	38.10	45.72	53.34	60.96	68.58	76.20	83.82	91.44	99.06	106.68	114.30
B	7.62	15.24	22.86	30.48	38.10	45.72	53.34	60.96	68.58	76.20	83.82	91.44
N	14P	15P	16P	17P	18P	19P	20P	21P	22P	23P	24P	
L	121.92	129.54	137.16	144.78	152.40	160.02	167.64	175.26	182.88	190.50	198.12	
B	99.06	106.68	114.30	121.92	129.54	137.16	144.78	152.40	160.02	167.64	175.26	

 东莞市奥斯电子有限公司 DONGGUAN AOSI ELECTRONICS CO., LTD.	公差范围 (Tolerance Range)	
	150~	±1.50
型号 (Type): BT2.5-XX-762-28RM-YY	60~150	±1.00
	30~60	±0.60
核准 (Approval):	6~30	±0.40
	0~6	±0.25
核审 (Audit):	角度 (Angle)	X ±2°
	单位 (Units): mm	XX ±1°
设计 (Design)	图号 (Drawing NO.):	
	比例 (Scale): FULL	
	页码 (Page): 1/1	版次 (Version): T0