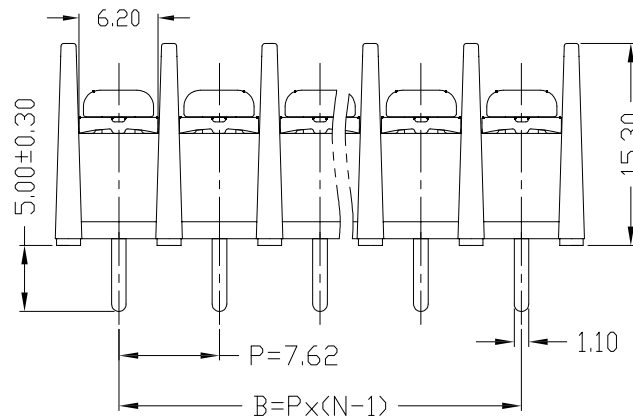
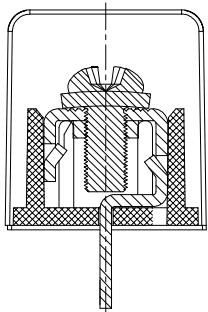
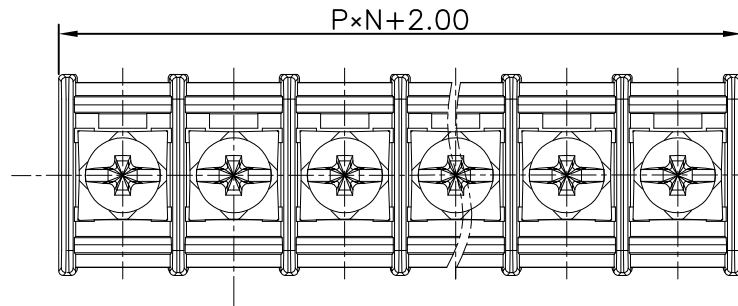
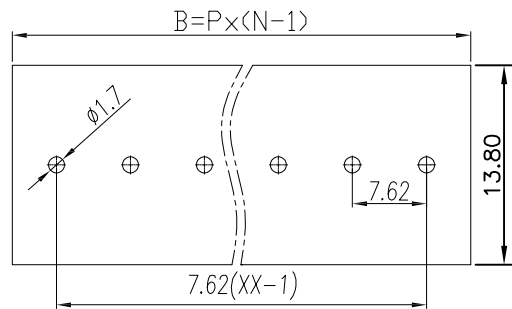


版次 (Version)	变更内容 (Rev. Content)	变更者 (Change Person)



技术参数 (Technical Data)				
应用组别(Use group)	B	C	D	
UL 额定电器参数 (Rated Electrical Parameters)	300V/15A	300V/15A	300V/15A	
IEC 过压类别(Overvoltage Category)	III/3	III/2	II/2	
IEC /污染等级(Pollution Degree)				
IEC 额定电器参数 (Rated Electrical Parameters)	320V/24A	320V/24A	320V/24A	
压线范围(Wire Range)	/			
工频耐压(Frequency Voltage)	AC 2500V			
冲击耐压(Rated Surge Voltage)	4000V			
绝缘阻抗(Insulation Resistance)	DC500V 500MΩ above			
接触电阻(Contact Resistance)	≤8mΩ			
剥线长度(String Length)	6~7 (mm)			
工作温度(Temperature)	-40° C~+105° C			
额定扭矩(Rated torque)	/			
材质和电镀(Material and plating)				
绝缘材质(Housing)	PA66 (UL94 V-0)			
导体材料(Contact)	铜合金, 镀锡(Copper alloy, Sn plated)			
/	/			

产品命名编码:  
(Product Number Code):

**BT2.5-XX-762-25C - YY**

系列(Series)

型号(Model)

极数(NO. of poles)

塑体颜色(Housing Color)

端子间距(Pitch)

- |              |                         |
|--------------|-------------------------|
| 1:绿色(Green)  | 7:透明色<br>(Transparent)  |
| 2:蓝色(Blue)   | 8:白色(White)             |
| 3:黑色(Black)  | 9:黄色(Yellow)            |
| 4:灰色(Grey)   | Y:多种颜色<br>(Mixed color) |
| 5:橙色(Orange) |                         |
| 6:红色(Red)    |                         |

P=7.62mm,N为孔位数(N for hole digits),有效位数为(Significant Digits):02p-24p

N	02P	03P	04P	05P	06P	07P	08P	09P	10P	11P	12P	13P
L	17.24	24.86	32.48	40.10	47.72	55.34	62.96	70.58	78.20	85.82	93.44	101.06
B	7.62	15.24	22.86	30.48	38.10	45.72	53.34	60.96	68.58	76.20	83.82	91.44
N	14P	15P	16P	17P	18P	19P	20P	21P	22P	23P	24P	
L	108.68	116.30	123.92	131.54	139.16	146.78	154.40	162.02	169.64	177.26	184.88	
B	99.06	106.68	114.30	121.92	129.54	137.16	144.78	152.40	160.02	167.64	175.26	

东莞市澳斯电子有限公司 DONGGUAN AOSI ELECTRONICS CO., LTD		公差范围(Tolerance Range)	
型号(Type): BT2.5-XX-762-25C-YY		150~	±1.50
		60~150	±1.00
核准(Approval): 图号(Drawing NO.):		30~60	±0.60
		6~30	±0.40
核审(Audit): 单位(Units):mm 页码(Page):1/1		0~6	±0.25
		角度(Angle) X	±2°
设计(Design) 比例(Scale):FULL		X.X	±1°
		版次(Version):T0	