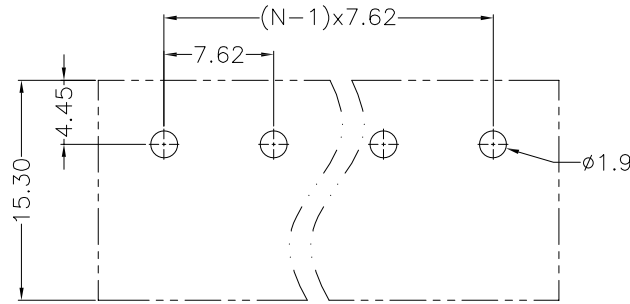
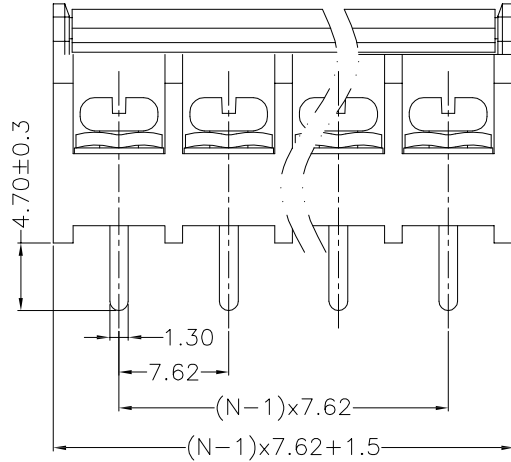
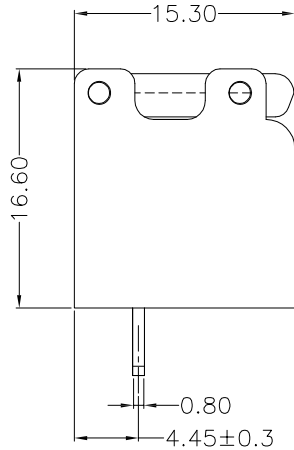
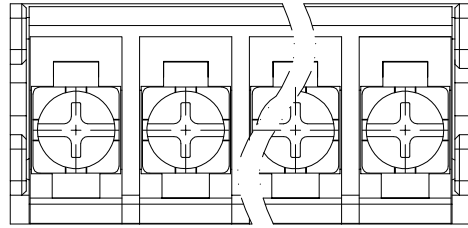


版次 (Version)	变更内容 (Rev. Content)	变更者 (Change Person)



P.C.B.LAYOUT

技术参数 (Technical Data)

UL	应用组别(Use group)	B	C	D
IEC	额定电器参数 (Rated Electrical Parameters)	300V/15A	300V/15A	300V/15A
	过压类别 (Overvoltage Category) / 污染等级 (Pollution Degree)	III/3	III/2	II/2
	额定电器参数 (Rated Electrical Parameters)	450V/24A	450V/24A	450V/24A
压线范围(Wire Range)		/		
工频耐压(Frequency Voltage)		AC 2500V		
冲击耐压(Rated Surge Voltage)		4000V		
绝缘阻抗 (Insulation Resistance)		DC500V 500MΩ above		
接触电阻(Contact Resistance)		/		
剥线长度(String Length)		/		
工作温度(Temperature)		-40° C ~ +105° C		
额定扭矩(Rated torque)		/		
材质和电镀(Material and plating)				
绝缘材质(Housing)		PA66		
导体材料(Contact)		铜合金, 镀锡(Copper alloy, Sn plated)		
/		/		

产品命名编码:  
(Product Number Code):

**HB-XX-762-00M-YY**

系列 (Series) ———— |  
极数 (NO. of poles) ———— |  
端子间距 (Pitch) ———— |

型号 (Model) ———— |  
塑体颜色 (Housing Color) ———— |

1:绿色(Green)	7:透明色 (Transparent)
2:蓝色(Blue)	8:白色(White)
3:黑色(Black)	9:黄色(Yellow)
4:灰色(Grey)	Y:多种颜色 (Mixed color)
5:橙色(Orange)	
6:红色(Red)	

P=7.62mm,N为孔位数(N for hole digits),有效位数为 (Significant Digits):02p-24p

N	02P	03P	04P	05P	06P	07P	08P	09P	10P	11P	12P	13P
L	9.12	16.74	24.36	31.98	39.60	47.22	54.84	62.46	70.08	77.70	85.32	92.94
B	7.62	15.24	22.86	30.48	38.10	45.72	53.34	60.96	68.58	76.20	83.82	91.44
N	14P	15P	16P	17P	18P	19P	20P	21P	22P	23P	24P	
L	100.56	108.18	115.80	123.42	131.04	138.66	146.28	153.90	161.52	169.14	176.76	
B	99.06	106.68	114.30	121.92	129.54	137.16	144.78	152.40	160.02	167.64	175.26	

<b>东莞市奥斯电子有限公司</b> DONGGUAN AOSI ELECTRONICS CO., LTD.	公差范围(Tolerance Range)	
	150~	±1.50
型号(Type): HB-XX-762-00M-YY	60~150	±1.00
	30~60	±0.60
核准(Approval):	6~30	±0.40
	0~6	±0.25
核审(Audit):	角度 (Angle)	X ±2°
	单位(Units):mm	X.X ±1°
设计(Design)	比例(Scale):FULL	版次 (Version):T0