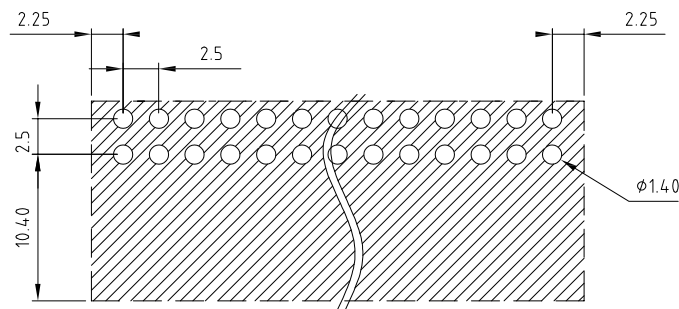
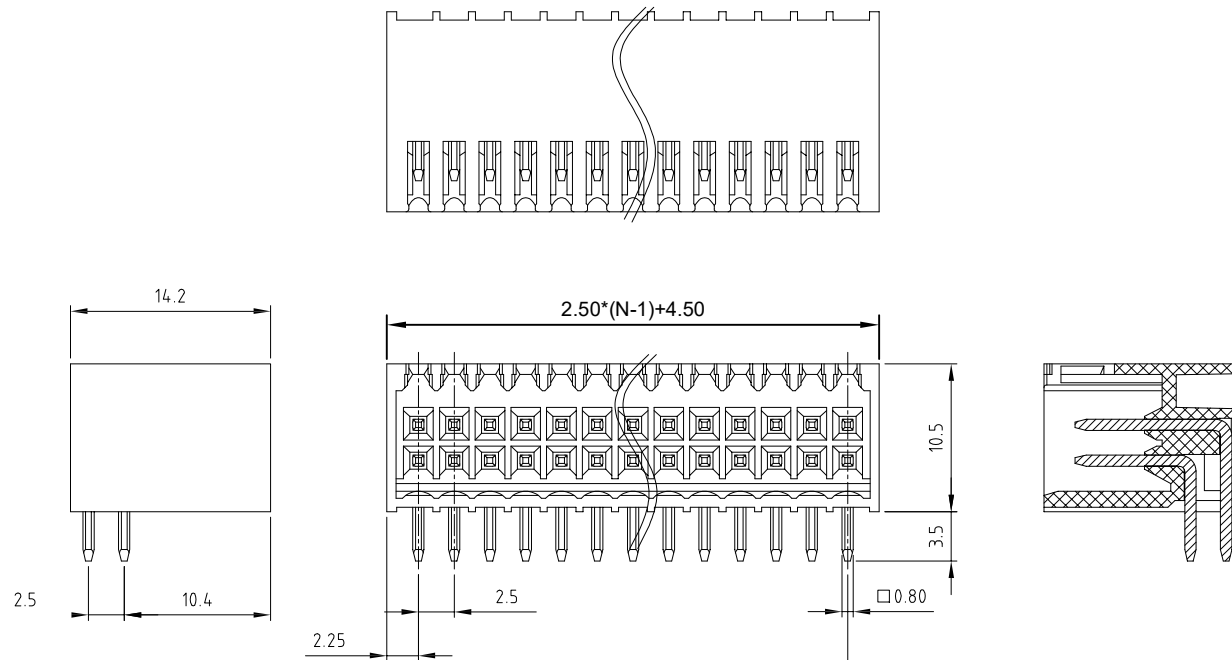


版次 (Version)	变更内容 (Rev. Content)	变更者 (Change Person)

技术参数 (Technical Data)

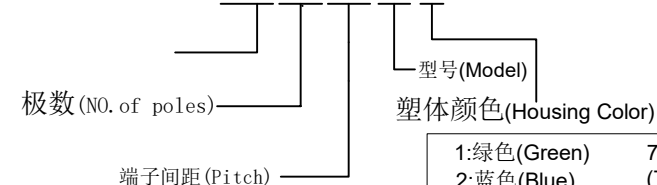
UL	应用组别(Use group) (Rated Electrical Parameters)	B	C	D
	额定电器参数 (Rated Electrical Parameters)	250V/6A	150V/5A	150V/5A
IEC	过压类别(Overvoltage Category) / 污染等级(Pollution Degree)	III/3	III/2	III/2
	额定电器参数 (Rated Electrical Parameters)	250V/6A	150V/5A	150V/5A
压线范围(Wire Range)		/		
工频耐压(Frequency Voltage)		AC 1300V		
冲击耐压(Rated Surge Voltage)		4000V		
绝缘阻抗(Insulation Resistance)		DC500V 500MΩ above		
接触电阻(Contact Resistance)		≤20mΩ		
剥线长度(String Length)		/		
工作温度(Temperature)		-40° C--+105° C		
额定扭矩(Rated torque)		/		
材质和电镀(Material and plating)				
绝缘材质(Housing)		PA66 UL94V-0		
导体材料(Contact)		铜合金, 镀锡(Copper alloy, Sn plated)		
/		/		



PCB LAYOUT

产品命名编码:  
(Product Number Code):

FPH0.5-XX-250-28R-YY



- |              |                         |
|--------------|-------------------------|
| 1:绿色(Green)  | 7:透明色<br>(Transparent)  |
| 2:蓝色(Blue)   | 8:白色(White)             |
| 3:黑色(Black)  | 9:黄色(Yellow)            |
| 4:灰色(Grey)   | Y:多种颜色<br>(Mixed color) |
| 5:橙色(Orange) |                         |
| 6:红色(Red)    |                         |

P=2.50mm,N为孔位数(N for hole digits),有效位数为(Significant Digits):02p-24p

N	02P	03P	04P	05P	06P	07P	08P	09P	10P	11P	12P	13P
L	7.00	9.50	12.00	14.50	17.00	19.50	22.00	24.50	27.00	29.50	32.00	34.50
B	2.50	5.00	7.50	10.00	12.50	15.00	17.50	20.00	22.50	25.00	27.50	30.00
N	14P	15P	16P	17P	18P	19P	20P	21P	22P	23P	24P	
L	37.00	39.50	42.00	44.50	47.00	49.50	52.00	54.50	57.00	59.50	62.00	
B	32.50	35.00	37.50	40.00	42.50	45.00	45.50	50.00	52.50	55.00	57.50	

东莞市奥斯电子有限公司 DONGGUAN AOSI ELECTRONICS CO., LTD.	公差范围(Tolerance Range)	
	150~	±1.50
型号(Type): FPH0.5-XX-250-28R-YY	60~150	±1.00
	30~60	±0.60
核准(Approval):	6~30	±0.40
	0~6	±0.25
核审(Audit):	角度(Angle)	X X ±2°
	单位(Units):mm	页码(Page):1/1
设计(Design):	比例(Scale):FULL	版次(Version):T0