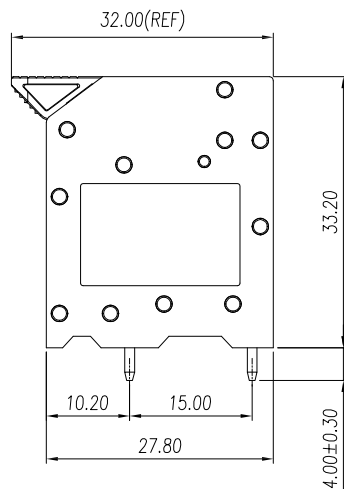
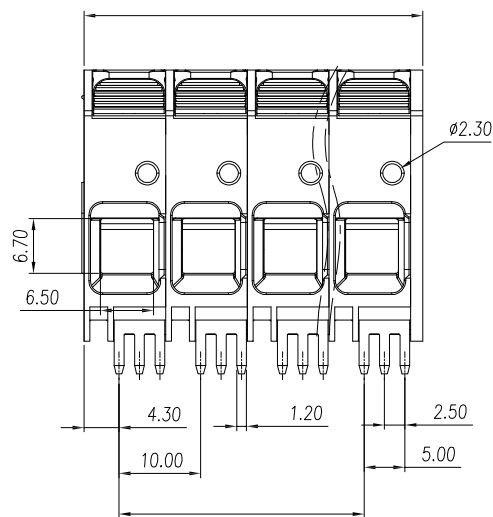
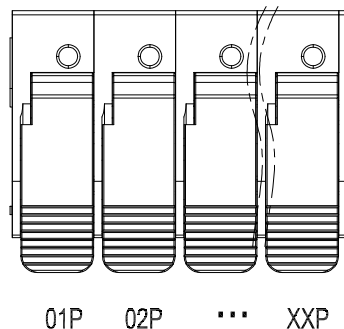
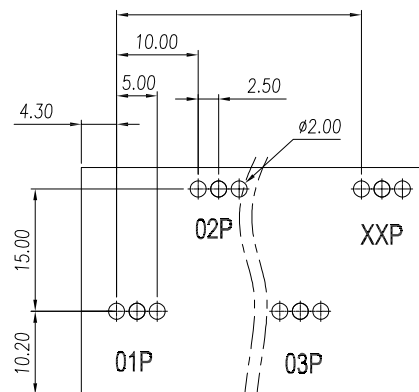


版次 (Version)	变更内容 (Rev. Content)	变更者 (Change Person)



技术参数 (Technical Data)

UL	应用组别(Use group)	B	C	D
	额定电器参数 (Rated Electrical Parameters)	600V/66A	600V/66A	600V/5A
	过压类别 (Overvoltage Category) /污染等级 (Pollution Degree)	III/3	III/2	III/2
IEC	额定电器参数 (Rated Electrical Parameters)	1000V/76A	1000V/76A	1000V/76A
压线范围(Wire Range)		18~4AWG 0.2~16 (25mm ² sol)		
工频耐压(Frequency Voltage)		AC 2500V		
冲击耐压(Rated Surge Voltage)		4000V		
绝缘阻抗 (Insulation Resistance)		DC500V 500MΩ above		
接触电阻(Contact Resistance)		≤20mΩ		
剥线长度(String Length)		18~20 (mm)		
工作温度(Temperature)		-40° C~+105° C		
额定扭矩(Rated torque)		/		
材质和电镀(Material and plating)				
绝缘材质(Housing)		PA66 UL94V-0		
导体材料(Contact)		铜合金, 镀锡(Copper alloy, Sn plisted)		
/		/		

产品命名编码:

(Product Number Code):

FS16-XX-1000-2416R-YY

系列(Series)

极数(NO. of poles)

端子间距(Pitch)


型号(Model)

塑体颜色(Housing Color)

- | | |
|--------------|-------------------------|
| 1:绿色(Green) | 7:透明色
(Transparent) |
| 2:蓝色(Blue) | 8:白色(White) |
| 3:黑色(Black) | 9:黄色(Yellow) |
| 4:灰色(Grey) | Y:多种颜色
(Mixed color) |
| 5:橙色(Orange) | |
| 6:红色(Red) | |

P=10.00mm,N为孔位数(N for hole digits),有效位数为(Significant Digits):02p-24p

N	02P	03P	04P	05P	06P	07P	08P	09P	10P	11P	12P	13P
L	21.50	31.50	41.50	51.50	61.50	71.50	81.50	91.50	101.50	111.50	121.50	131.50
B	10.00	20.00	30.00	40.00	50.00	60.00	70.00	80.00	90.00	100.00	110.00	120.00
N	14P	15P	16P	17P	18P	19P	20P	21P	22P	23P	24P	
L	141.50	151.50	161.50	171.50	181.50	191.50	201.50	211.50	221.50	231.50	241.50	
B	130.00	140.00	150.00	160.00	170.00	180.00	190.00	200.00	210.00	220.00	230.00	

 东莞市澳斯电子有限公司 DONGGUAN AOSI ELECTRONICS CO., LTD	公差范围(Tolerance Range)	
	150~	±1.50
型号(Type):FS16-XX-1000-2416R-YY	60~150	±1.00
	30~60	±0.60
核准(Approval):	图号(Drawing NO.):	6~30 ±0.40
		0~6 ±0.25
核审(Audit):	单位(Units):mm	角度(X) ±2°
	页码(Page):1/1	(Angle)X.X ±1°
设计(Design)	比例(Scale):FULL	版次(Version):T0