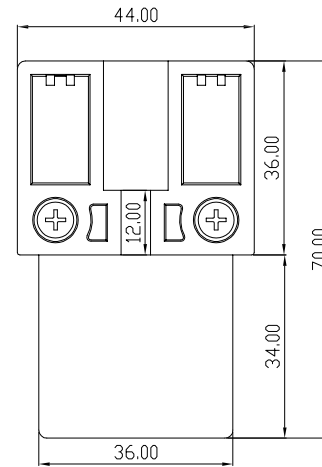
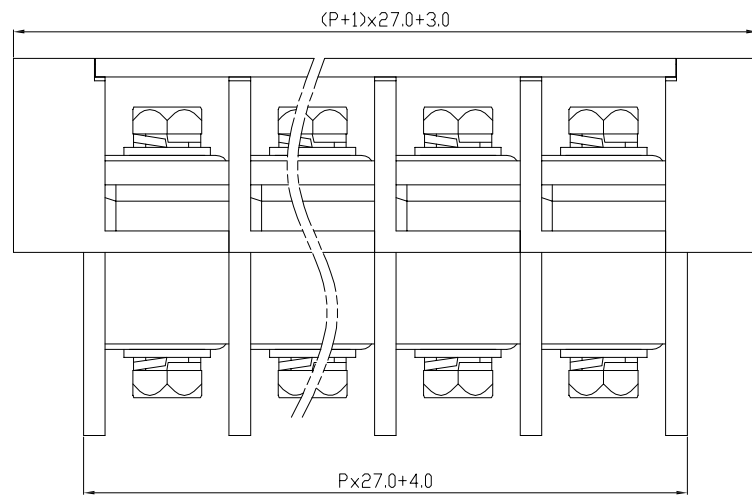
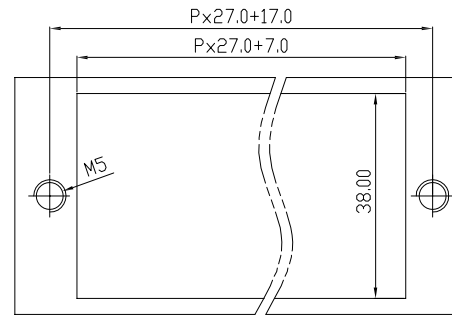
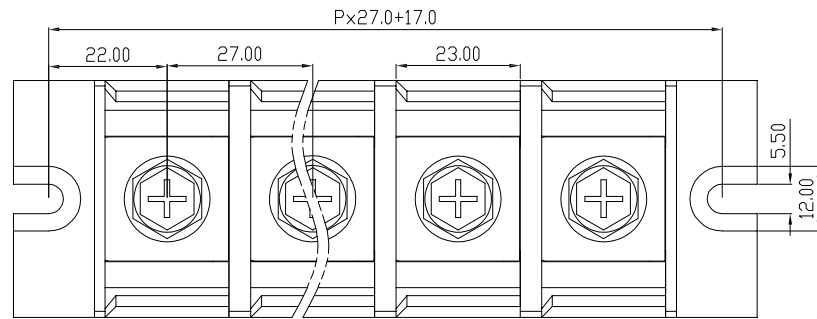
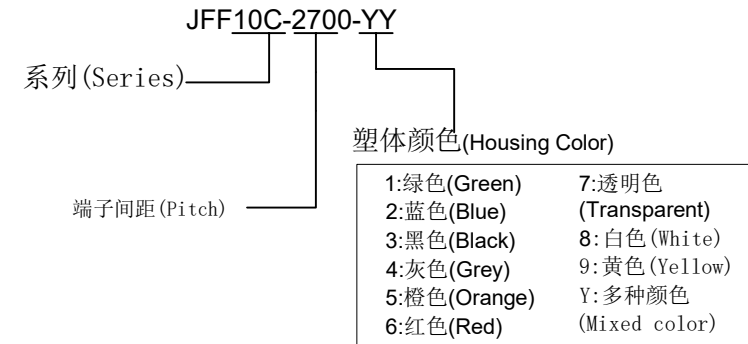


版次 (Version)	变更内容 (Rev. Content)	变更者 (Change Person)




技术参数 (Technical Data)				
UL	应用组别(Use group)	B	C	D
	额定电器参数 (Rated Electrical Parameters)	600V/65A	/	/
IEC	过压类别 (Overvoltage Category) /污染等级 (Pollution Degree)	III/3	III/2	II/2
	额定电器参数 (Rated Electrical Parameters)	/	/	/
压线范围(Wire Range)		10~2/0AWG 55.0mm <sup>2</sup>		
工频耐压(Frequency Voltage)		AC 1000V		
冲击耐压(Rated Surge Voltage)		/		
绝缘阻抗(Insulation Resistance)		/		
接触电阻(Contact Resistance)		/		
剥线长度(String Length)		/		
工作温度(Temperature)		-30° C ~ +120° C		
额定扭矩(Rated torque)		/		
材质和电镀 (Material and plating)				
绝缘材质(Housing)		PA66		
导体材料(Contact)		铜合金, 镀锡(Copper alloy, Sn plated)		
/		/		

产品命名编码:  
(Product Number Code):



P=27.00mm, N为孔位数(N for hole digits), 有效位数为 (Significant Digits): 02p-19p

N	02P	03P	04P	05P	06P	07P	08P	09P	10P
L	84.00	111.00	138.00	165.00	192.00	219.00	246.00	273.00	300.00
B	27.00	54.00	81.00	108.00	135.00	162.00	189.00	216.00	243.00
N	11P	12P	13P	14P	15P	16P	17P	18P	19P
L	327.00	354.00	381.00	408.00	435.00	462.00	489.00	516.00	543.00
B	270.00	297.00	324.00	351.00	378.00	405.00	432.00	459.00	486.00

 <b>东莞市奥斯电子有限公司</b> <b>DONGGUAN AOSI ELECTRONICS CO., LTD.</b>	公差范围 (Tolerance Range)	
	150~	±1.5%
型号 (Type): JFF10C-2700-YY	60~150	±1.0%
	30~60	±0.6%
核准 (Approval):	6~30	±0.4%
	0~6	±0.2%
核审 (Audit):	角度 (Angle) X	±2°
	单位 (Units): mm	X.X
设计 (Design):	页码 (Page): 1/1	比例 (Scale): FULL
		版次 (Version): 1