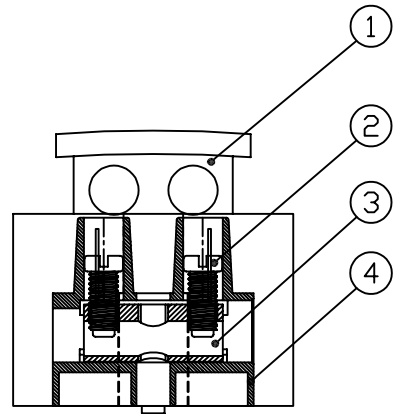
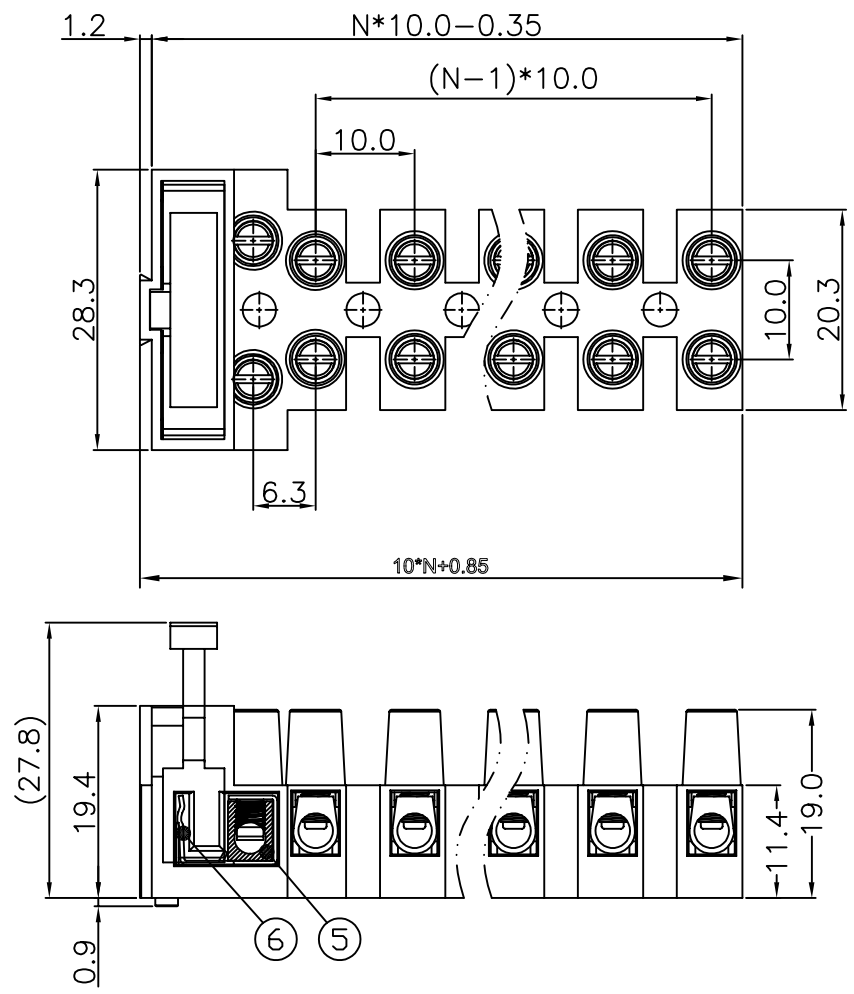
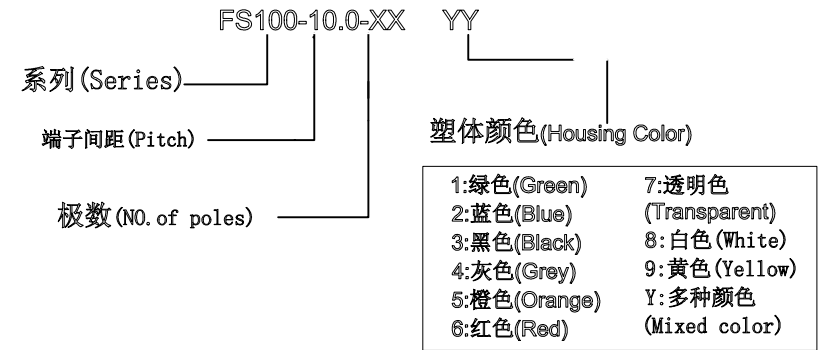


版次 (Version)	变更内容 (Rev. Content)	变更者 (Change Person)



技术参数 (Technical Data)				
UL	应用组别(Use group)	B	C	D
	额定电器参数 (Rated Electrical Parameters)	300V/10A	300V/10A	300V/10A
IEC	过压类别(Overvoltage Category) /污染等级(Pollution Degree)	III/3	III/2	III/2
	额定电器参数 (Rated Electrical Parameters)	450V/7.5A	450V/7.5A	450V/7.5A
压线范围(Wire Range)		22-14AWG 0.5-2.5mm ²		
工频耐压(Frequency Voltage)		AC 2500V		
冲击耐压(Rated Surge Voltage)		4000V		
绝缘阻抗(Insulation Resistance)		DC500V 500MΩ above		
接触电阻(Contact Resistance)		≤20mΩ		
剥线长度(Strip Length)		6~7 (mm)		
工作温度(Temperature)		-40° C~+105° C		
额定扭矩(Rated torque)		0.5N.m (4.43Lb.in)		
材质和电镀(Material and plating)				
绝缘材质(Housing)		PA66 UL94V-0		
导体材料(Contact)		铜合金, 镀锡(Copper alloy, Sn plated)		
/		/		

产品命名编码:
(Product Number Code):



P=10.00mm,N为孔位数(N for hole digits),有效位数为(Significant Digits):02p-24p

N	02P	03P	04P	05P	06P	07P	08P	09P	10P	11P	12P	13P
L	20.85	30.85	40.85	50.85	60.85	70.85	80.85	90.85	100.85	100.85	110.85	120.85
B	10.00	20.00	30.00	40.00	50.00	60.00	70.00	80.00	90.00	100.00	110.00	120.00
N	14P	15P	16P	17P	18P	19P	20P	21P	22P	23P	24P	
L	130.85	140.85	150.85	160.85	170.85	180.85	190.85	200.85	210.85	220.85	230.85	
B	130.00	140.00	150.00	160.00	170.00	180.00	190.00	200.00	210.00	220.00	230.00	

 东莞市澳斯电子有限公司 DONGGUAN AOSI ELECTRONICS CO., LTD.	公差范围(Tolerance Range)	
	150~	±1.5'
型号(Type):FS10-10.0-XX-YY	60~150	±1.0'
	30~60	±0.6'
核准(Approval):	6~30	±0.4'
	0~6	±0.2'
核审(Audit):	角度 X	±2'
	单位(Units):mm	(Angle) X.X
设计(Design):	图号(Drawing NO.):	版次(Version):1
	比例(Scale):FULL	