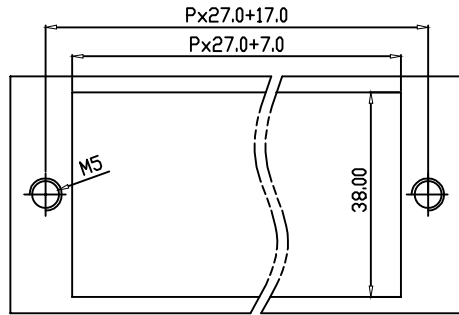
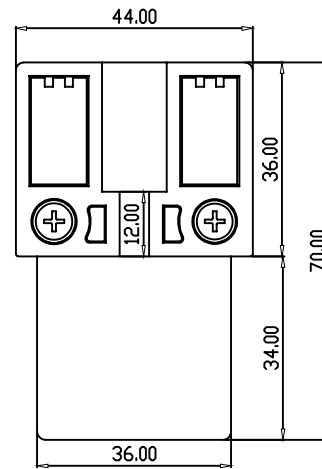
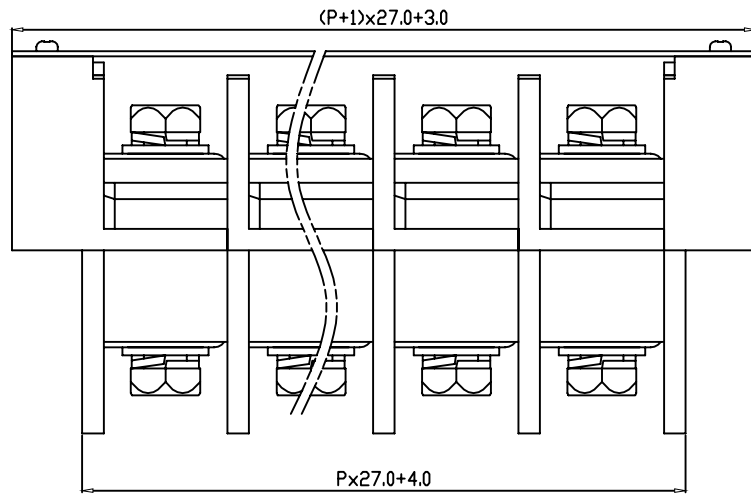
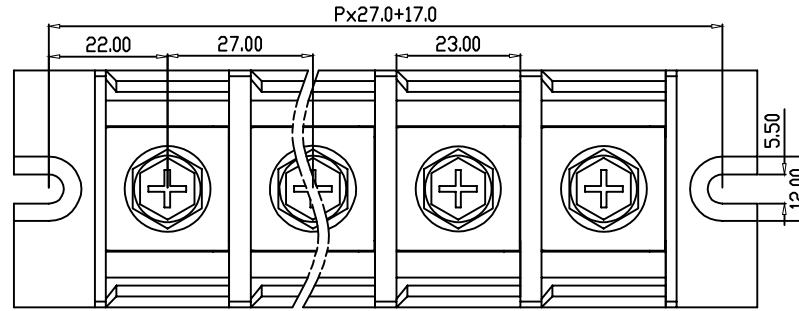


版次 (Version)	变更内容 (Rev. Content)	变更者 (Change Person)



P.C.B. LAYOUT



技术参数 (Technical Data)				
UL	应用组别(Use group)	B	C	D
	额定电器参数 (Rated Electrical Parameters)	600V/170A	/	/
IEC	过压类别 (Overvoltage Category) /污染等级 (Pollution Degree)	III/3	III/2	II/2
	额定电器参数 (Rated Electrical Parameters)	1000V/170A	/	/
压线范围(Wire Range)		10~2/0AWG 55.0mm ²		
工频耐压(Frequency Voltage)		AC 3500V		
冲击耐压(Rated Surge Voltage)		/		
绝缘阻抗(Insulation Resistance)		/		
接触电阻(Contact Resistance)		/		
剥线长度(String Length)		/		
工作温度(Temperature)		-30° C~+120° C		
额定扭矩(Rated torque)		M8/6.0		
材质和电镀(Material and plating)				
绝缘材质(Housing)		PBT UL94V-0		
导体材料(Contact)		铜合金, 镀锡(Copper alloy, Sn plated)		
/		/		

产品命名编码:
(Product Number Code):

JFF10C-2700-YY

系列 (Series)

塑体颜色(Housing Color)

端子间距 (Pitch)

- | | |
|--------------|-------------------------|
| 1:绿色(Green) | 7:透明色
(Transparent) |
| 2:蓝色(Blue) | 8:白色(White) |
| 3:黑色(Black) | 9:黄色(Yellow) |
| 4:灰色(Grey) | Y:多种颜色
(Mixed color) |
| 5:橙色(Orange) | |
| 6:红色(Red) | |

P=27.00mm,N为孔位数(N for hole digits),有效位数为 (Significant Digits): 02p-24p

N	02P	03P	04P	05P	06P	07P	08P	09P	10P	11P	12P	13P
L	84.00	111.00	138.00	165.00	192.00	219.00	246.00	273.00	300.00	327.00	354.00	381.00
B	27.00	54.00	81.00	108.00	135.00	162.00	189.00	216.00	243.00	270.00	297.00	324.00
N	14P	15P	16P	17P	18P	19P	20P	21P	22P	23P	24P	
L	408.00	435.00	462.00	489.00	516.00	543.00	570.00	597.00	624.00	651.00	678.00	
B	351.00	378.00	405.00	432.00	459.00	486.00	513.00	540.00	567.00	594.00	621.00	



东莞市澳斯电子有限公司
DONGGUAN AOSI ELECTRONICS CO., LTD.

型号(Type): JFF10C-2700-YY

核准(Approval): 图号(Drawing NO.):

核审(Audit): 单位(Units):mm 页码(Page):1/1

设计(Design) 比例(Scale):FULL

公差范围(Tolerance Range)	
150~	±1.5'
60~150	±1.0'
30~60	±0.6'
6~30	±0.4'
0~6	±0.2'
角度 X (Angle) X.X	±2' ±1'
版次(Version):1	

