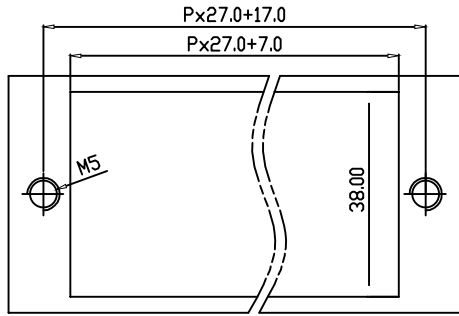
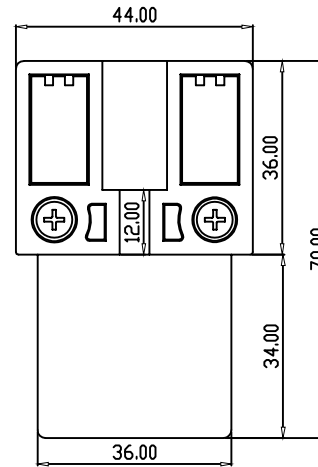
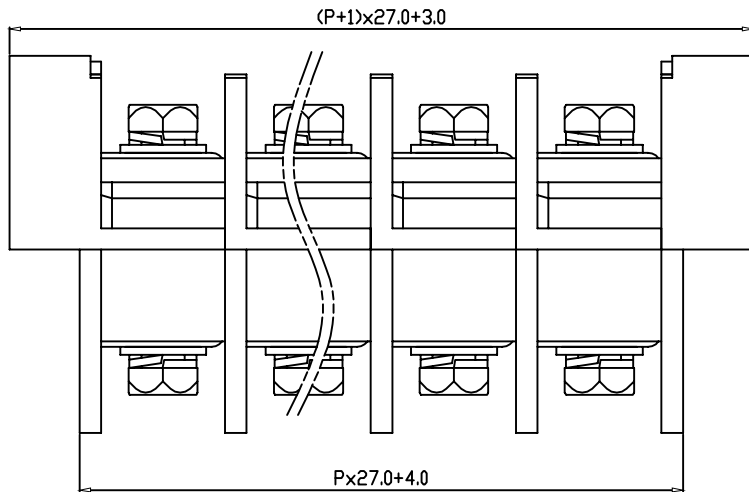
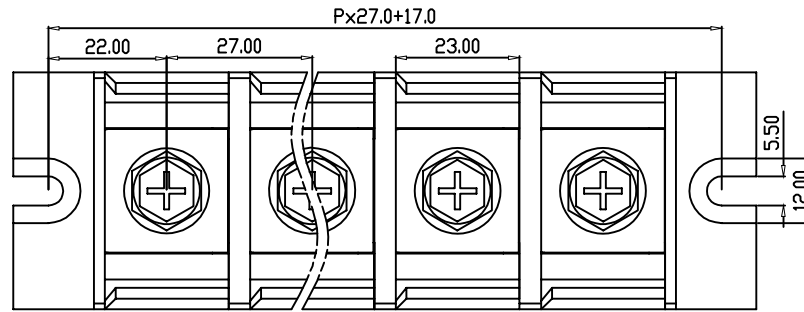


版次 (Version)	变更内容 (Rev. Content)	变更者 (Change Person)



PCB LAYOUT



技术参数 (Technical Data)				
UL	应用组别(Use group)	B	C	D
	额定电器参数 (Rated Electrical Parameters)	600V/170A	/	/
IEC	过压类别 (Overvoltage Category) /污染等级 (Pollution Degree)	III/3	III/2	II/2
	额定电器参数 (Rated Electrical Parameters)	1000V/170A	/	/
压线范围(Wire Range)		10~2/0AWG		
工频耐压(Frequency Voltage)		AC 3500V		
冲击耐压(Rated Surge Voltage)		/		
绝缘阻抗(Insulation Resistance)		/		
接触电阻(Contact Resistance)		/		
剥线长度(String Length)		12-13		
工作温度(Temperature)		-30° C~+120° C		
额定扭矩(Rated torque)		M8/6.0		
材质和电镀 (Material and plating)				
绝缘材质(Housing)		PBT UL94V-0		
导体材料(Contact)		铜合金, 镀锡(Copper alloy, Sn plated)		
/		/		

产品命名编码:
(Product Number Code):

JFF10-2700-YY
系列 (Series)


端子间距 (Pitch)

塑体颜色 (Housing Color)

1:绿色(Green)	7:透明色 (Transparent)
2:蓝色(Blue)	8:白色(White)
3:黑色(Black)	9:黄色(Yellow)
4:灰色(Grey)	Y:多种颜色 (Mixed color)
5:橙色(Orange)	
6:红色(Red)	

P=27.00mm, N为孔位数(N for hole digits), 有效位数为 (Significant Digits): 02p-24p

N	02P	03P	04P	05P	06P	07P	08P	09P	10P	11P	12P	13P
L	84.00	111.00	138.00	165.00	192.00	219.00	246.00	273.00	300.00	327.00	354.00	381.00
B	27.00	54.00	81.00	108.00	135.00	162.00	189.00	216.00	243.00	270.00	297.00	324.00
N	14P	15P	16P	17P	18P	19P	20P	21P	22P	23P	24P	
L	408.00	435.00	462.00	489.00	516.00	543.00	570.00	597.00	624.00	651.00	678.00	
B	351.00	378.00	405.00	432.00	459.00	486.00	513.00	540.00	567.00	594.00	621.00	

 东莞市澳斯电子有限公司 DONGGUAN AOSI ELECTRONICS CO., LTD.	公差范围 (Tolerance Range)	
	150~	±1.5%
型号 (Type): JFF10-2700-YY	60~150	±1.0%
	30~60	±0.6%
核准 (Approval):	6~30	±0.4%
	0~6	±0.2%
核审 (Audit):	角度 (Angle) X	±2°
	单位 (Units): mm	X.X
设计 (Design):	页码 (Page): 1/1	±1°
	比例 (Scale): FULL	版次 (Version): 1